

SCAN 5005 FRL

ACCESSORIES



30054861 Scan 5005 FRL (lifting door)

30054877 Scan 5005 with support construction (lifting door)

*For heavy wall constructions or wide non combustible fireplaces, that are thicker than 50 mm

Additional accessories:

50054151 Fresh air box for bottom (outside Ø145/150 mm - inside Ø135/130 mm)

50054929 Convection cover, top

50054930 Frame 1, 90 degrees bent, top/back (for 30054861)

50054931 Frame 2, 90 degrees bent, top/back/bottom (for 30054861)

50054932 Frame 3, 5 mm massive, back/bottom, 614 mm (for 30054877)

50054933 Frame 4, 5 mm massive, back/bottom, 736 mm (for 30054877)

50054934 Ash container kit with grate

50054935 Handling kit

50055223 Chamotte rear stones, white

50055224 Chamotte rear stones, black

50055226 Handle, black painted

50055227 Detachable handle kit for lifting door

50059023 Adjustable legs, 190 mm

51052596 Convection air grids (2 pcs.)

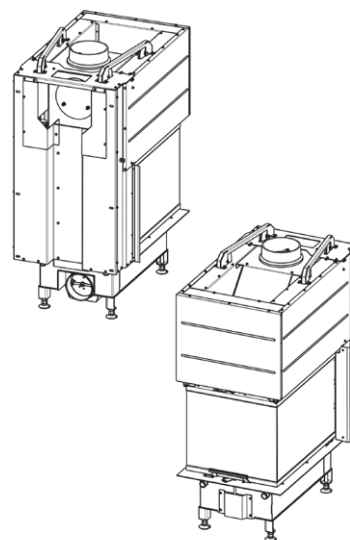
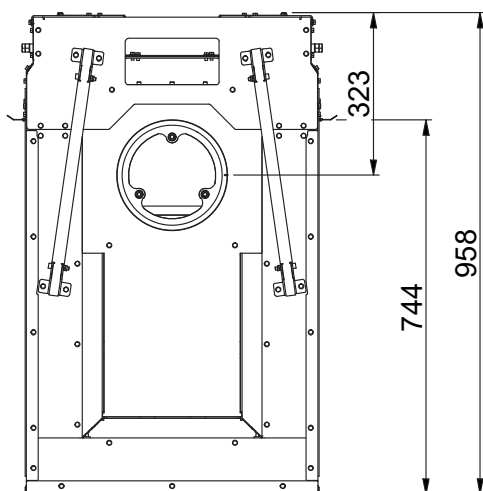
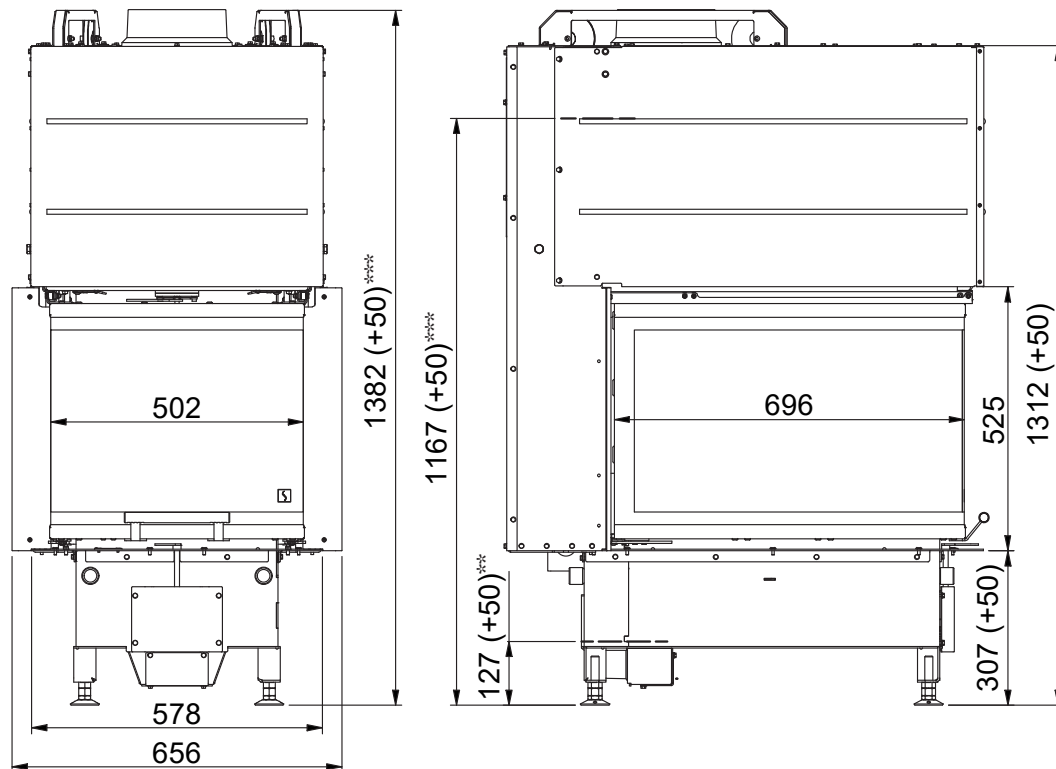
SCAN 5005 FRL

ACCESSORIES



30054861

Scan 5005 (lifting door)



All distances are in mm.

** Connection of fresh-air intake - inside measure: $\varnothing 132$ mm - outside measure: $\varnothing 149$ mm

*** Height to the beginning of flue connecting piece at top/rear outlet,
flue conn. piece - inside measure: $\varnothing 175$ mm - outside measure: $\varnothing 200$ mm

SCAN 5005 FRL

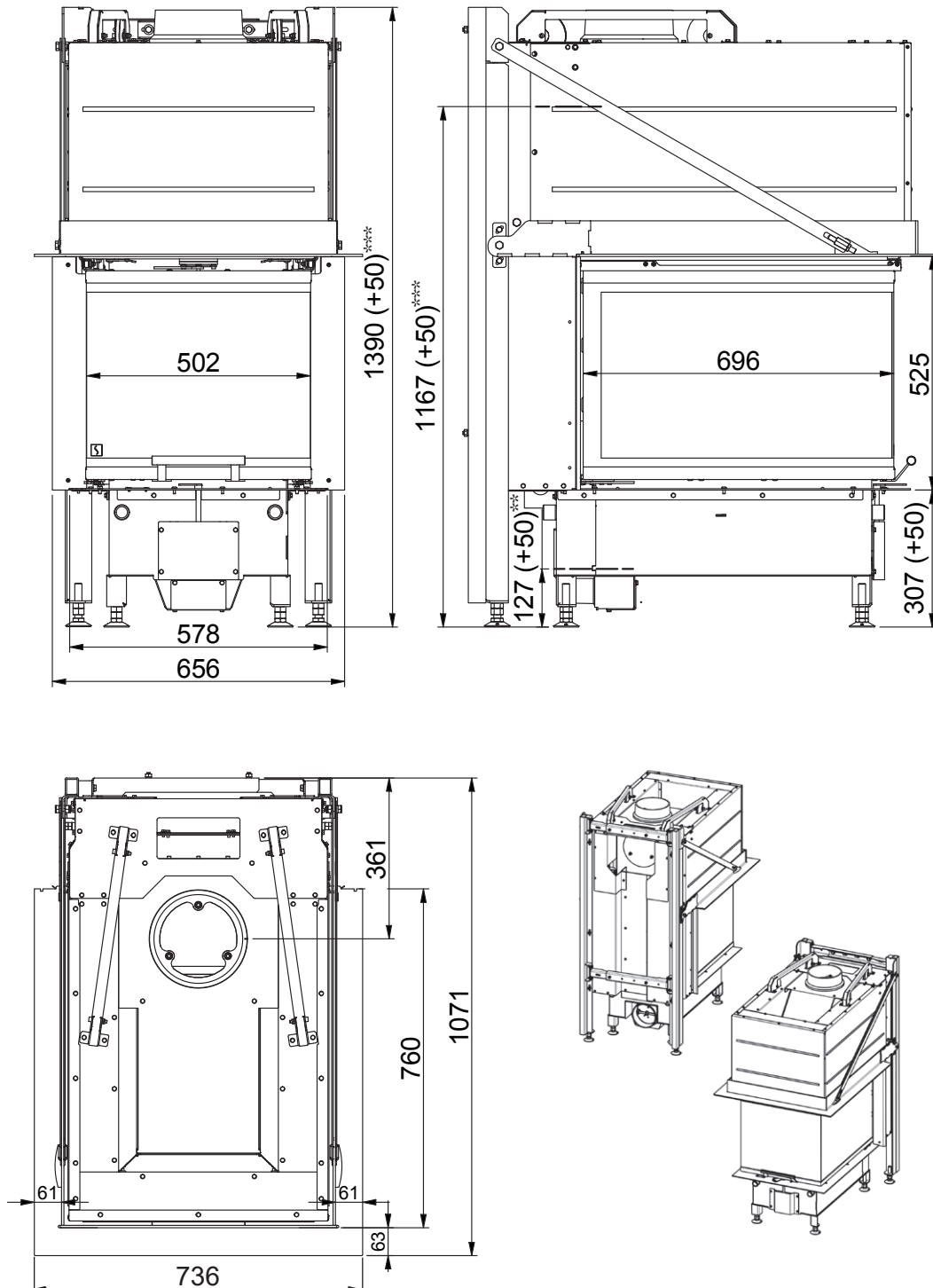
ACCESSORIES



30054877

Scan 5005 with support construction (lifting door)

*For heavy wall constructions or wide non combustible fireplaces, that are thicker than 50 mm



All distances are in mm.

** Connection of fresh-air intake - inside measure: $\varnothing 132$ mm - outside measure: $\varnothing 149$ mm

*** Height to the beginning of flue connecting piece at top/rear outlet,
flue conn. piece - inside measure: $\varnothing 175$ mm - outside measure: $\varnothing 200$ mm

SCAN 5005 FRL

ACCESSORIES

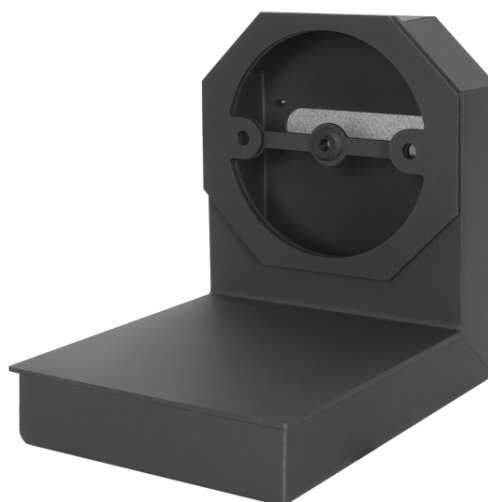
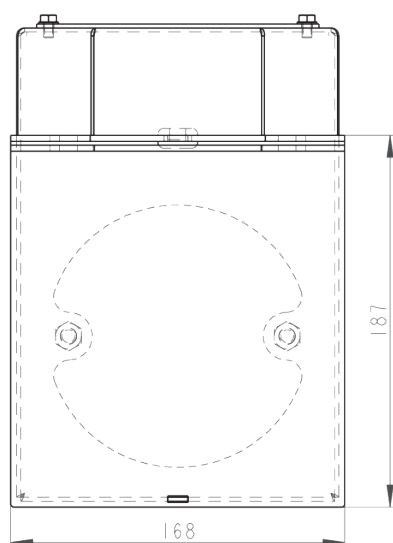
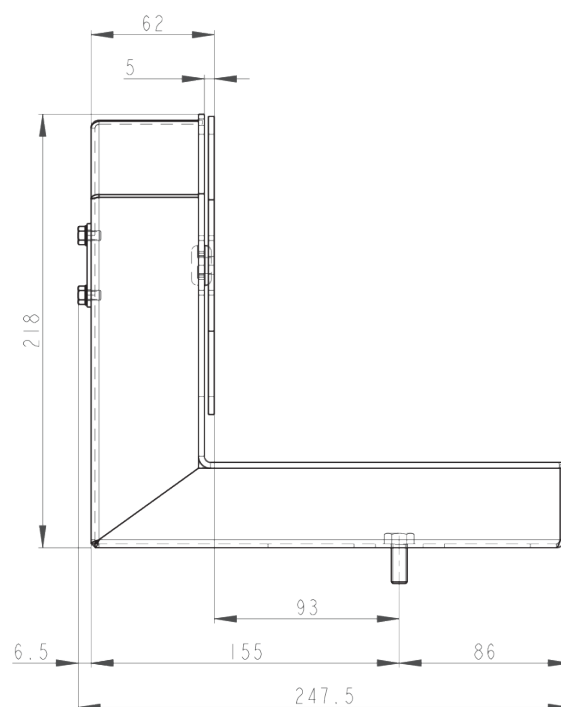
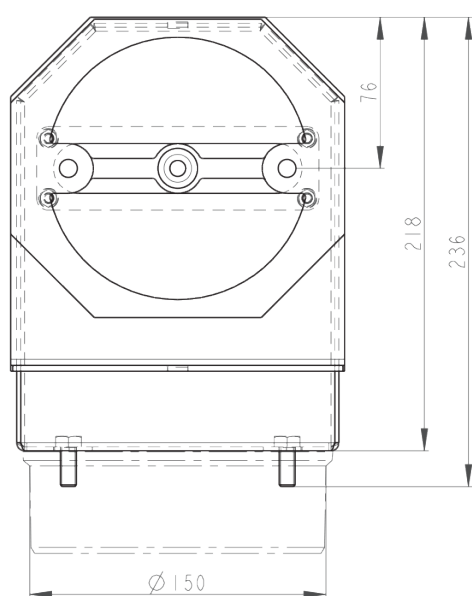


50054151

Fresh air box for bottom

(outside Ø145/150 mm - inside Ø135/130 mm)

For this box, you need a connection pipe (Ø 150 mm) which can be purchased in most D.I.Y.-stores



SCAN 5005 FRL

ACCESSORIES

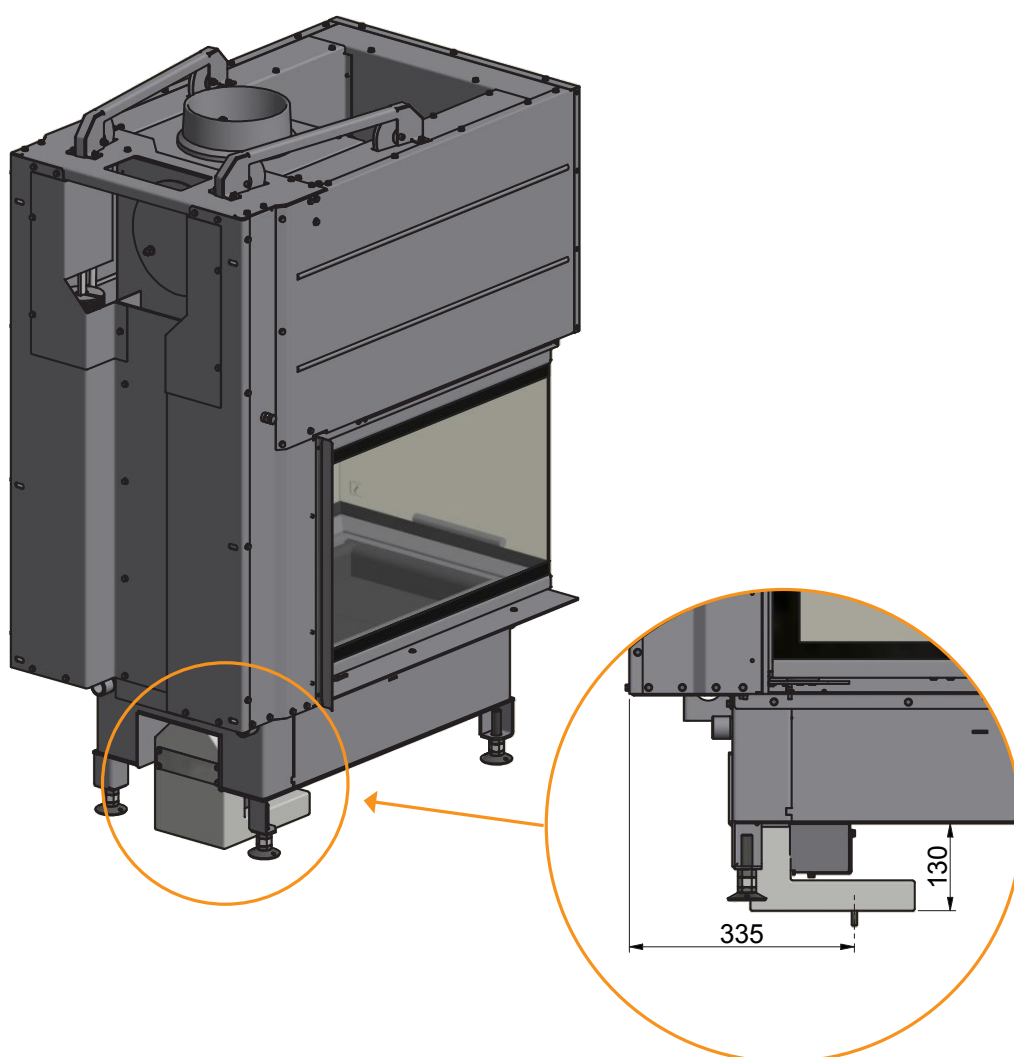


50054151

Fresh air box for bottom

(outside Ø145/150 mm - inside Ø135/130 mm)

For this box, you need a connection pipe (Ø 150 mm) which can be purchased in most D.I.Y.-stores.



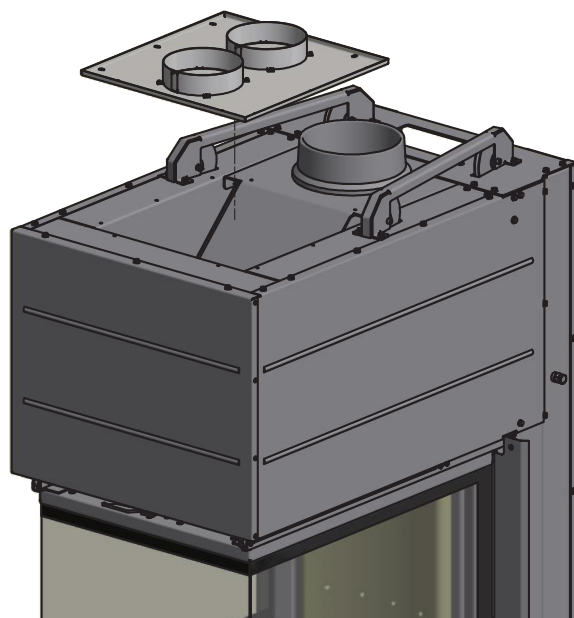
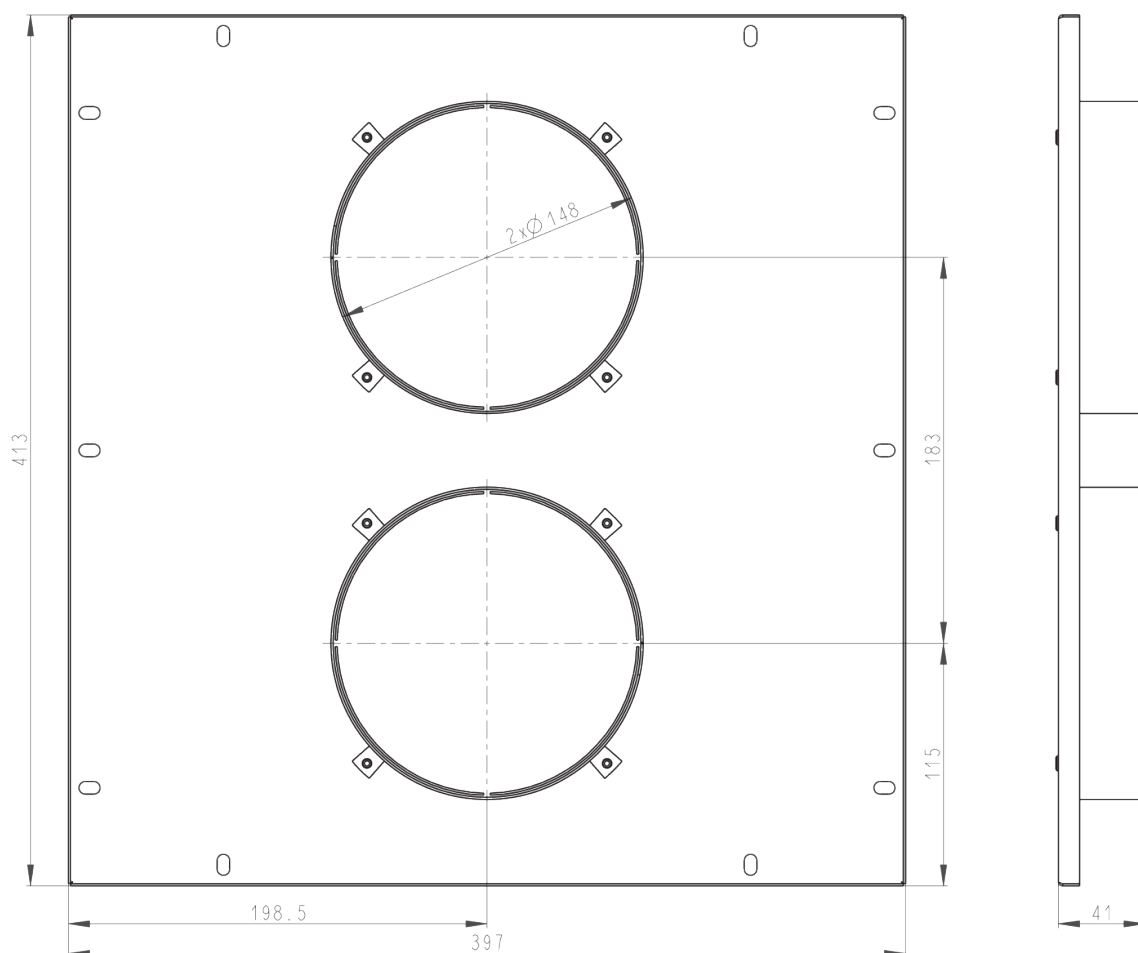
SCAN 5005 FRL

ACCESSORIES



50054929

Convection cover, top



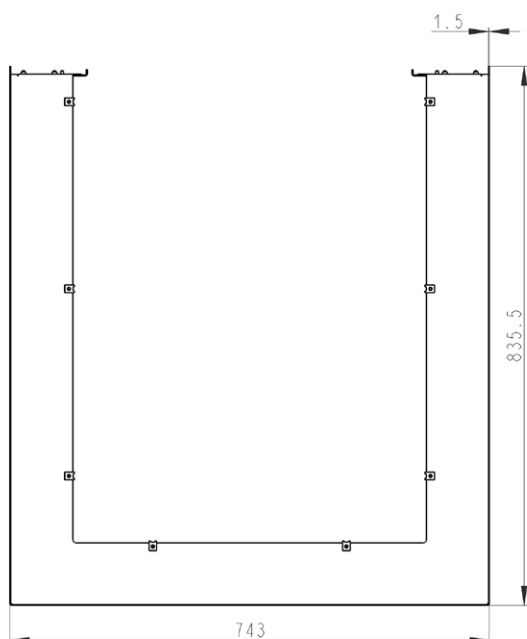
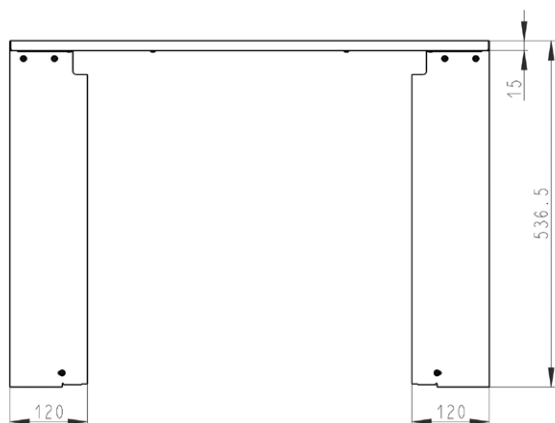
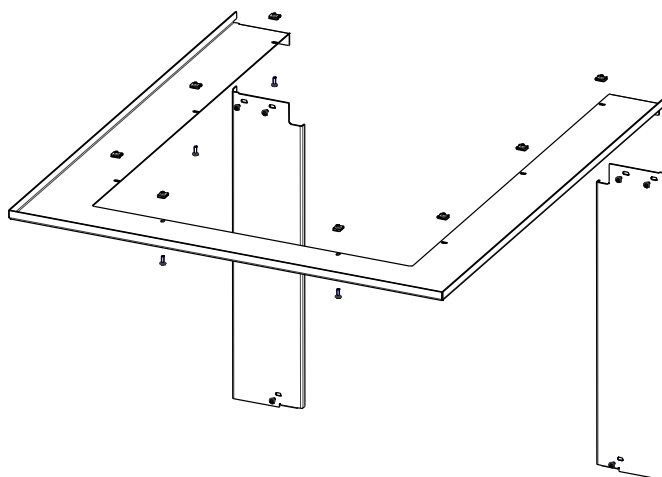
SCAN 5005 FRL

ACCESSORIES



50054930

Frame 1, 90 degrees bent, top/back (for 30054861)



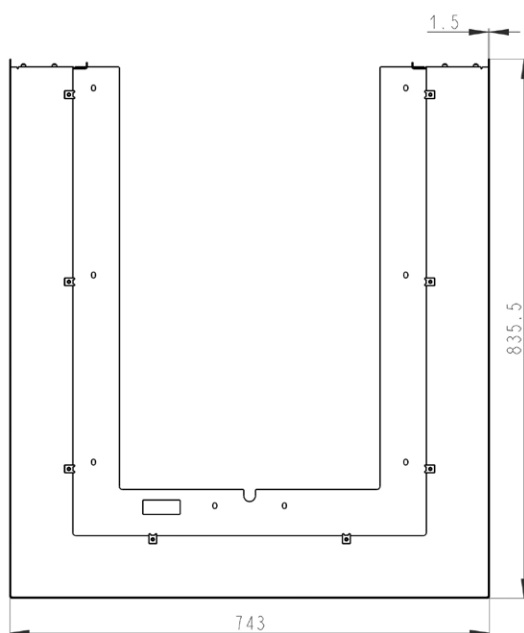
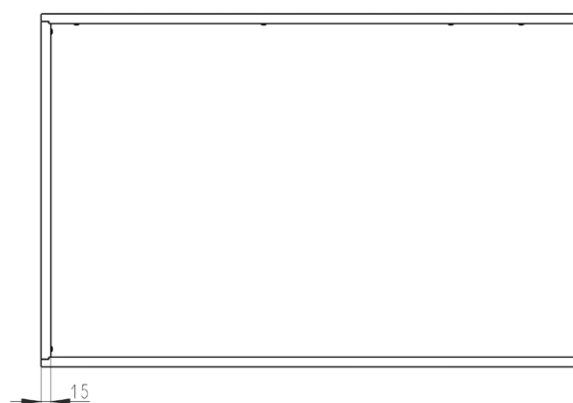
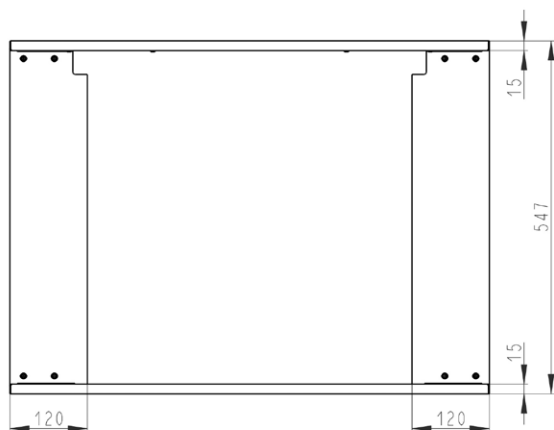
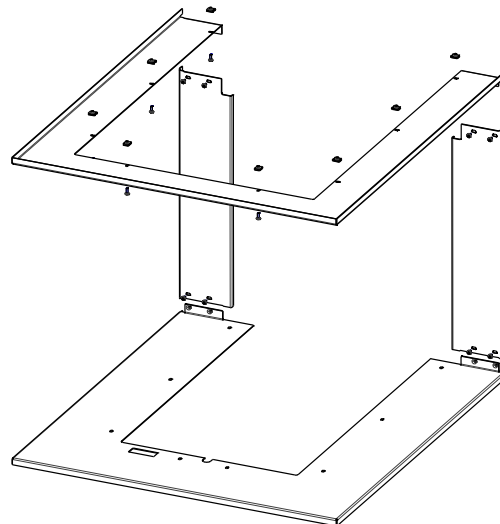
SCAN 5005 FRL

ACCESSORIES



50054931

Frame 2, 90 degree bent, top/back/bottom (for 30054861)



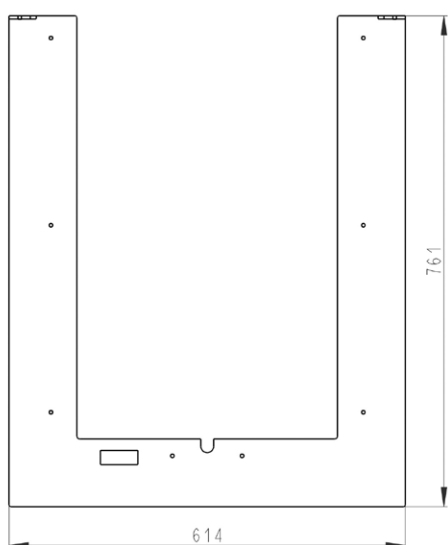
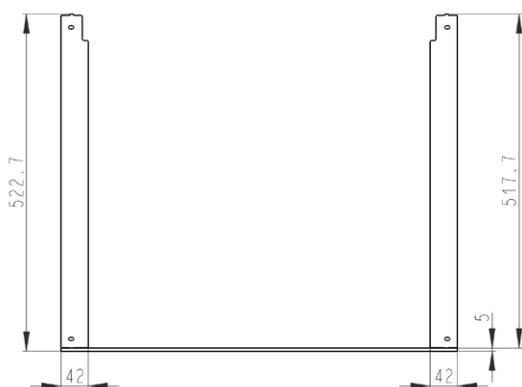
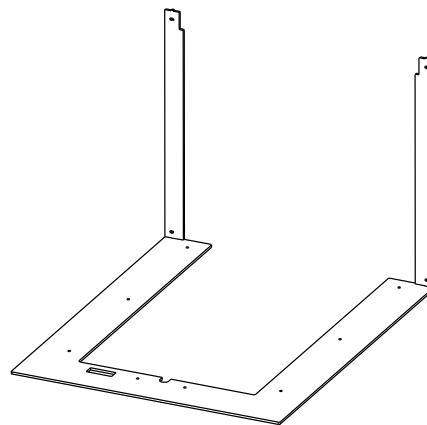
SCAN 5005 FRL

ACCESSORIES



50054932

Frame 3, 5 mm massive, back/bottom, 614 mm (for 30054877)



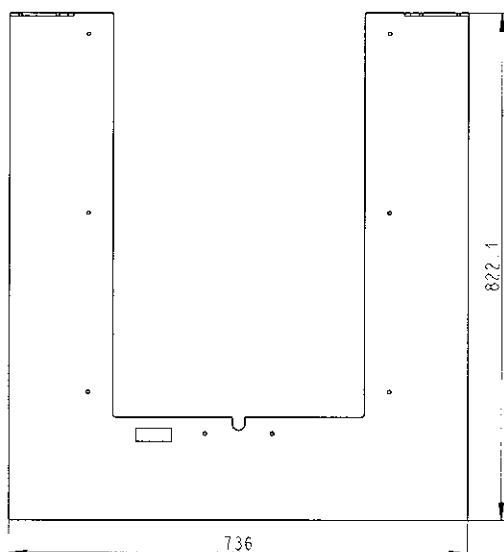
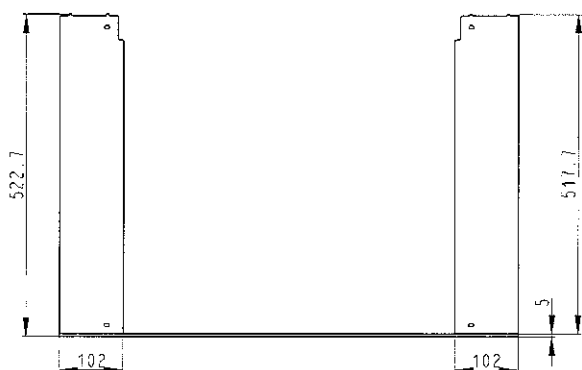
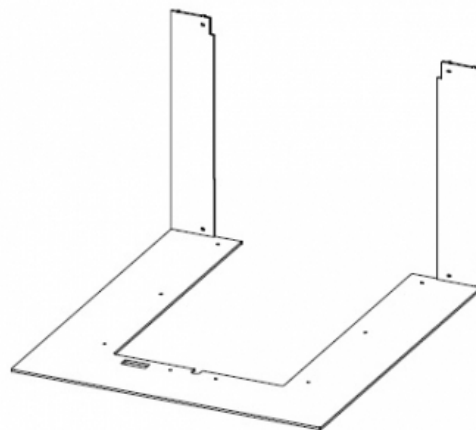
SCAN 5005 FRL

ACCESSORIES



50054933

Frame 4, 5 mm massive, back/bottom, 736 mm (for 30054877)



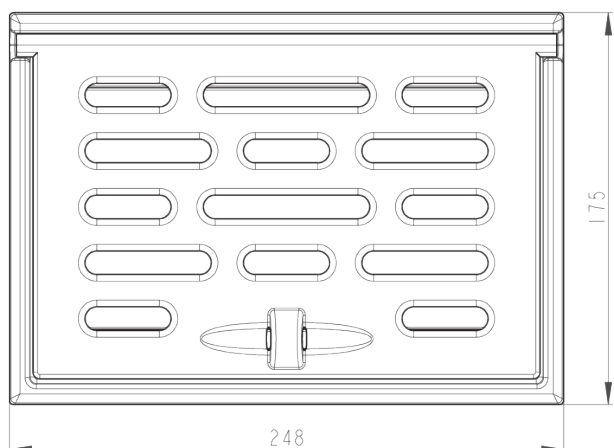
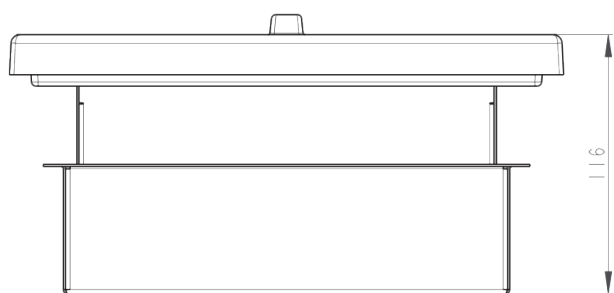
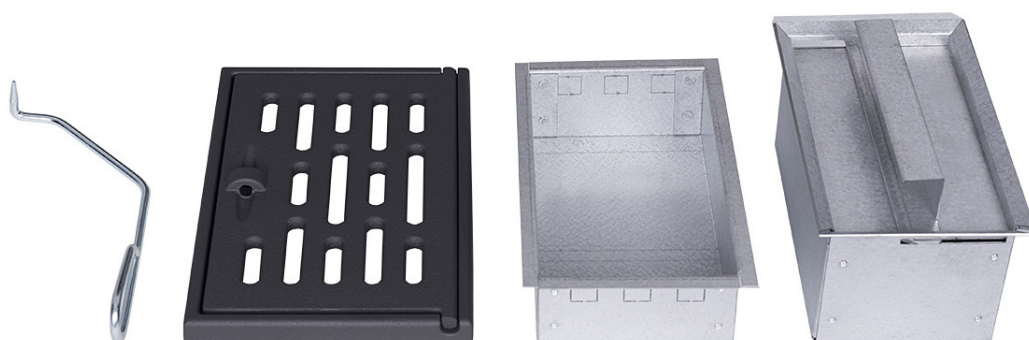
SCAN 5005 FRL

ACCESSORIES



50054934

Ash container kit with grate

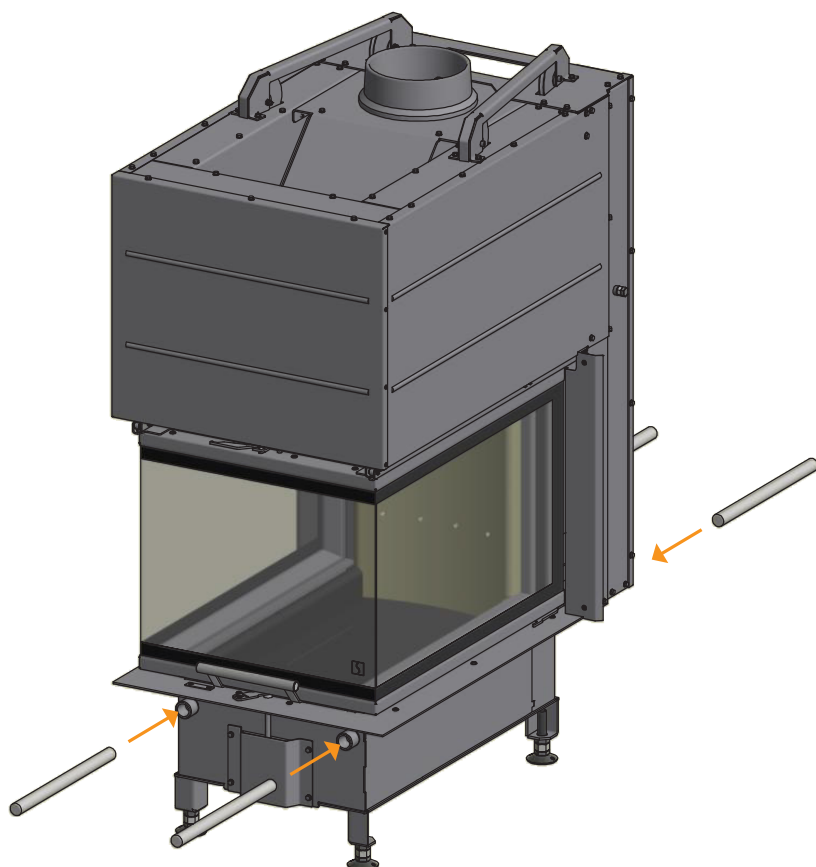


SCAN 5005 FRL

ACCESSORIES



50054935
Handling kit



SCAN 5005 FRL

ACCESSORIES

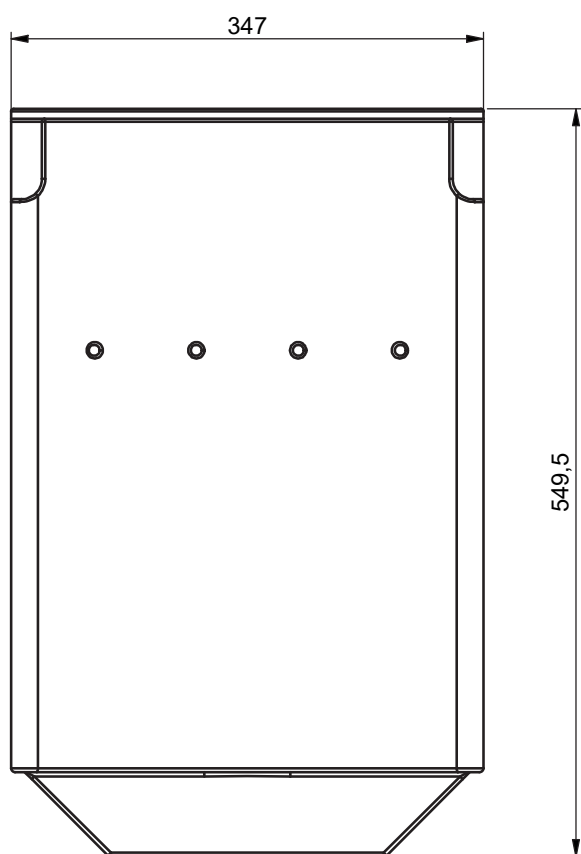
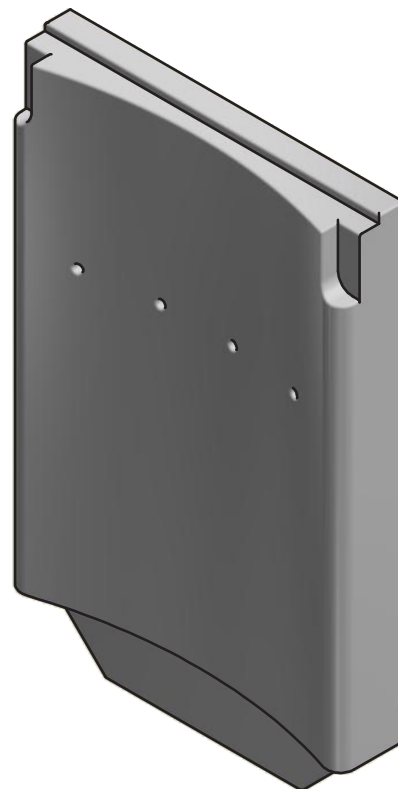


5005223

Chamotte rear stones, white

5005224

Chamotte rear stones, black



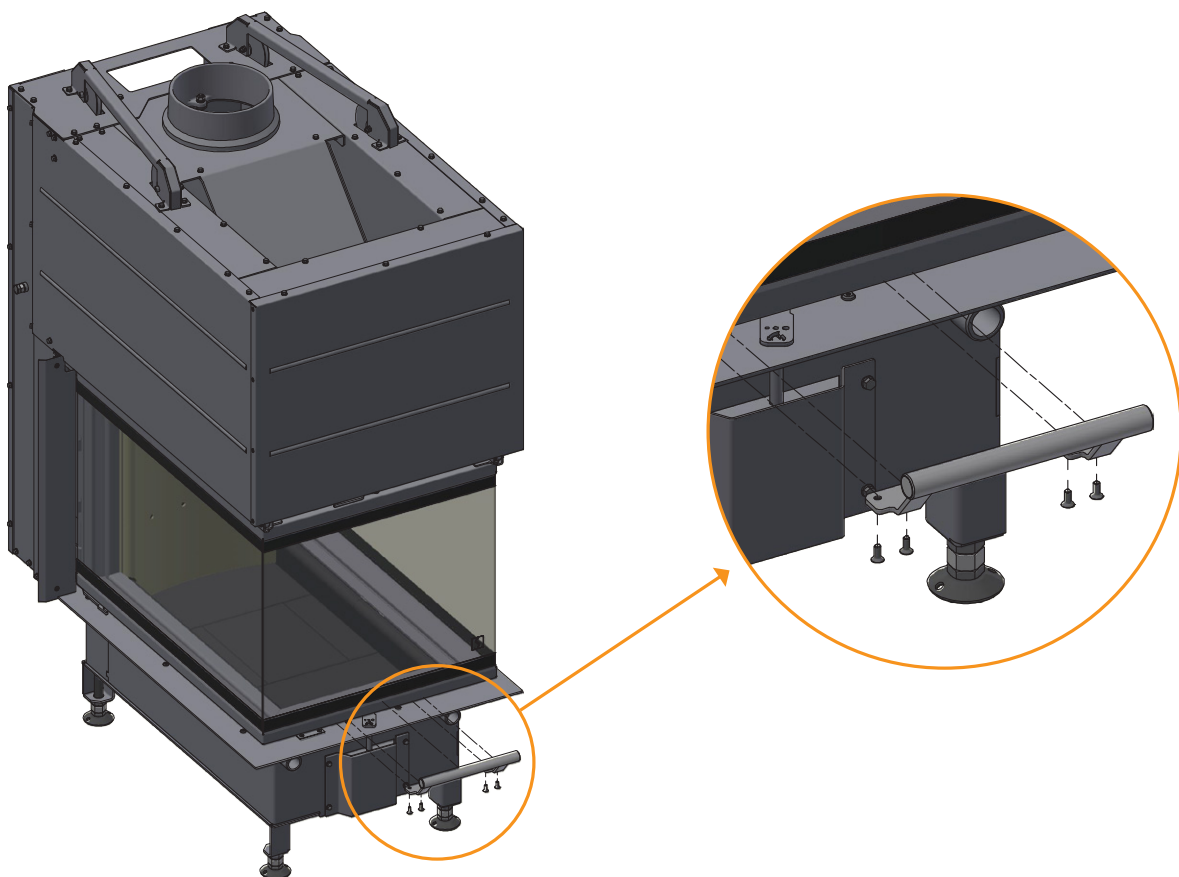
SCAN 5005 FRL

ACCESSORIES



5005227

Detachable handle kit for lifting door



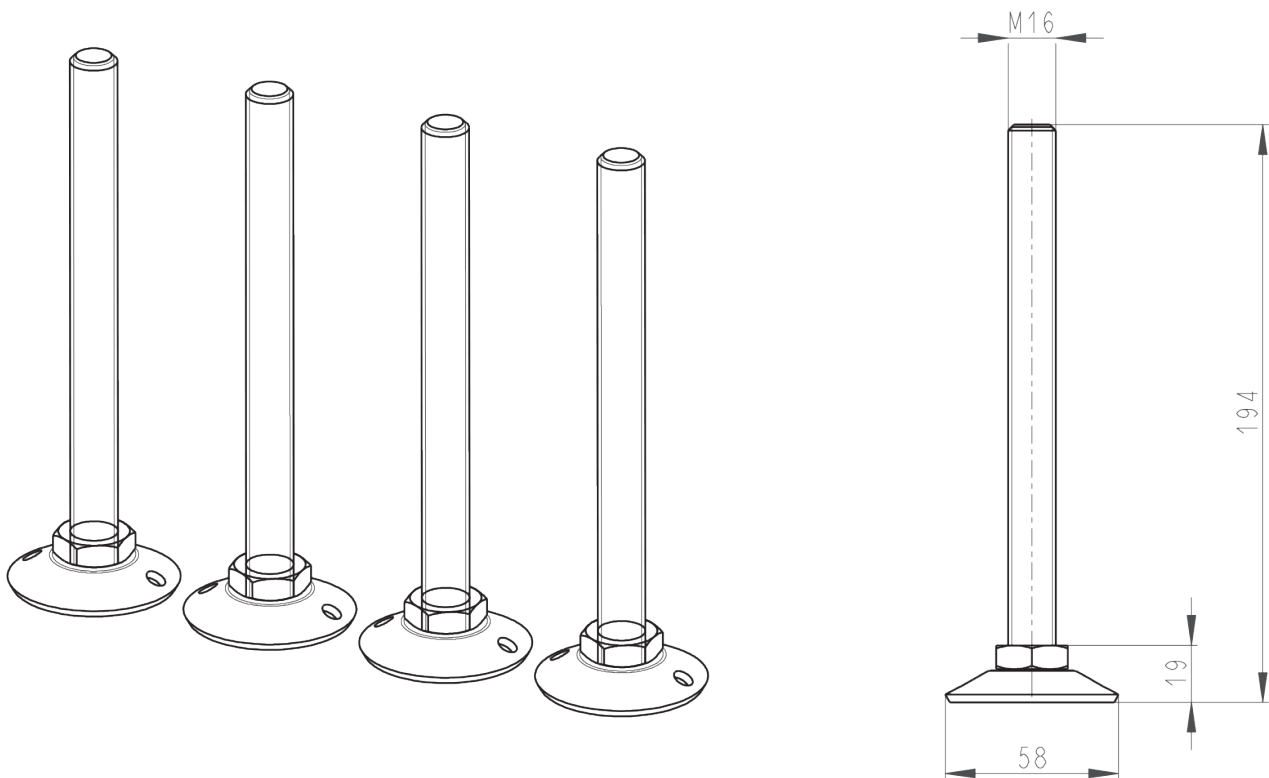
SCAN 5005 FRL

ACCESSORIES



50059023

Adjustable legs, 190 mm



SCAN 5005 FRL

ACCESSORIES



51052596

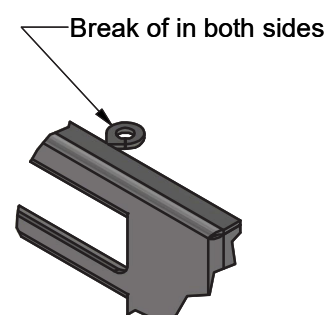
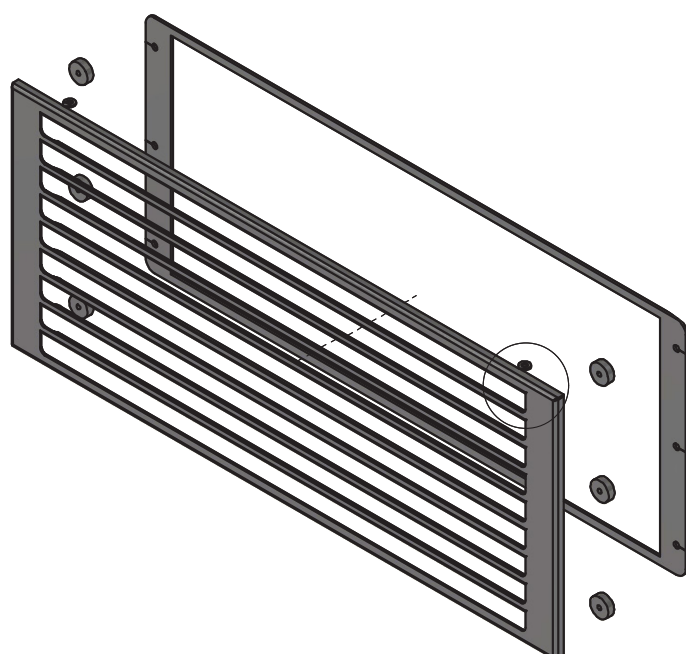
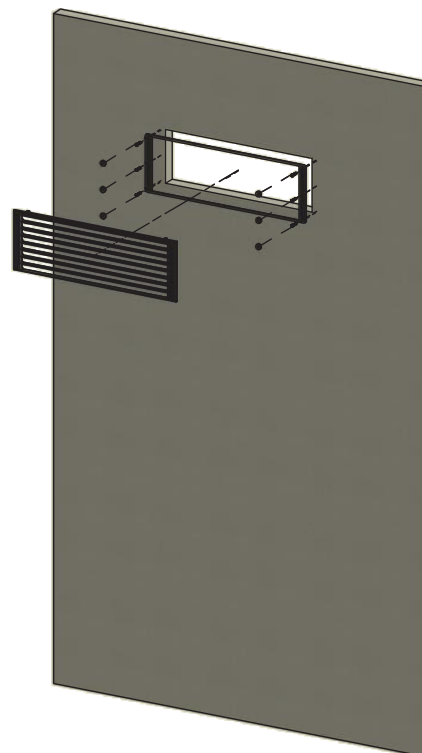
Convection air grids (2 pcs.)

1

Cut a hole in the wall according to the indicated measures

2

Fasten the metal frame with the six screws.
Then mount the six magnets on the screws and place the convection grate on the magnets



Size of hole in wall

